



WECHAT



WEB

Welcome to HEARKEN

Actuators and Controls

**Hearken
Here We
Can**

The Trusted, Passionate and focused Partner in Valve Automation

At HEARKEN FLOW, The founding principle of Hearkenflow is simple: to Listen our customers needs first, to develop the innovative valve actuators solutions , to meet the unique needs of our customers, Along the way, To help our customers to solve the problems in Valve Automation. We are growing our brand in Pneumatic and Electric Actuators, Accessories..



WHY WE ARE DIFFERENT

We offer a complete valve automation solution by the applications experience and customization capabilities, with an experienced support team to guide you in selection, installation, and project support. In addition we maintain an extensive supply of product inventory on hand so that we can quickly fulfill orders and reduce wait times. Our sales and support staff are readily available and accessible so that customers get the answers they need quickly.



Experienced team



Large inventory



Convenient consultation

THE TARGET WE ARE PURSUING



High-quality



low cost



Reliable solution

- To built A strong Reputation in Providing Quality, Cost Effective , Reliable And Robust Performance Solutions for Valve Automation,
- Included Pneumatic Actuators, Electrically Actuators, Actuated Valves.



COMMITMENT TO QUALITY

At HEARKEN FLOW means performance, All products manufactured by HEARKEN FLOW are warranted against defects in material and workmanship for a period of 18 months from the day of startup. Each of our products are tested at the factory. we are confident that our products meet or exceed all applicable standards before they ever leave our facility. We are an ISO 9001-2008 certified company. Our Valve Actuators Has Applied for SIL3 Certificate, ATEX Certificate ,CE,Explosion-proof Certificate, IP68 Weather proof etc....

HPA Series Pneumatic Actuator

— Rack Pinion Design

Description



Die casting aluminum HPA body with both internal and external corrosion protection having honed cylinder surface for longer life and low coefficient of friction.

Dual piston rack and pinion design for compact onstruction,symmetric mounting position,high-cycle life and fast operation,reverse rotation can be accomplished in the field by simply inverting the pistons.

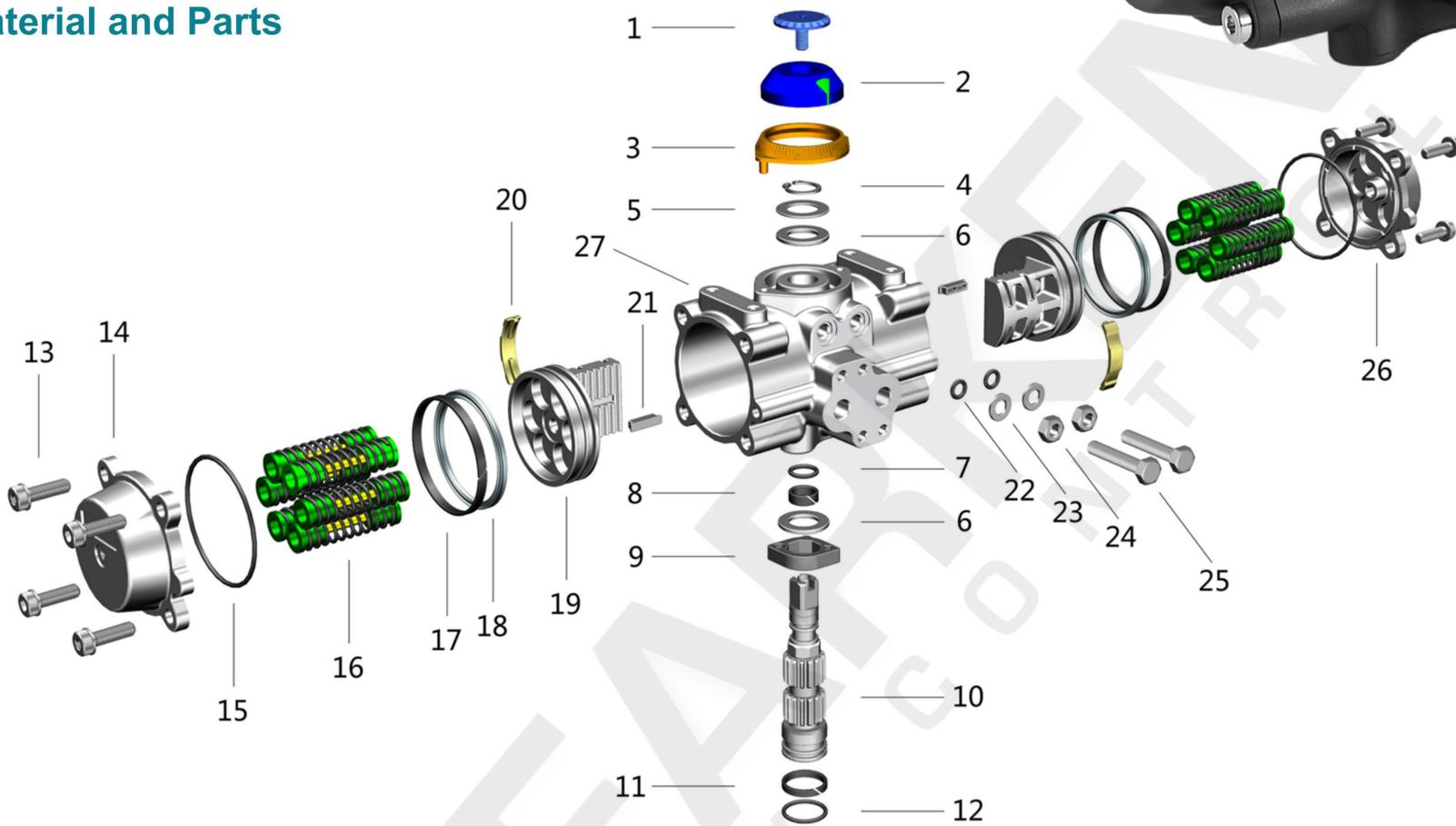
Multiple bearings and guides on racks and pistons,low friction,high cycle life and prevent shaft blowout.

Modular preloaded spring cartridge design,with coated spring for simple versatile range,greater safety and corrosion resistance,longer cycle life.

Fully machined teeth on piston and pinion for accurate low backlash rack and pinion engagement,maximum efficiency,stainless steel fasteners for long term corrosion resistance.

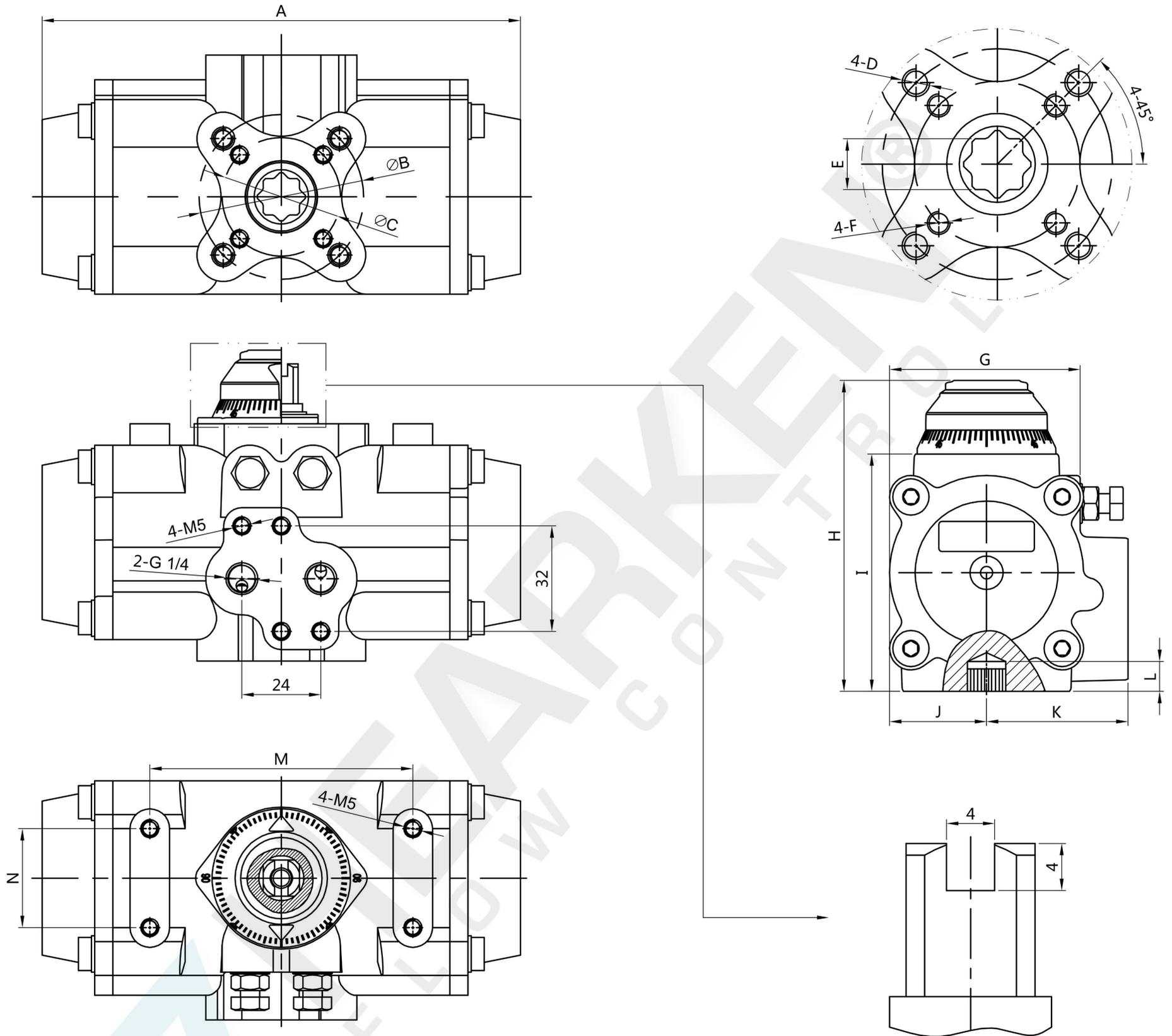


Material and Parts



NO.	Part Name	Quantity	Material	NO.	Part Name	Quantity	Material
1	Indicator Nut	1	ABS	15	Spring Set	2	NBR
2	Indicator	1	ABS	16	End Cover Type O Ring	12	55CrSi
3	Indicator	1	ABS	17	Wear Resistant Ring	2	POM
4	Elastic Ring	1	SS301	18	Piston Seal Ring	2	NBR
5	Shim	1	POM	19	Piston	2	Die Casting Alummiumm
6	Wear Pad	2	POM	20	Piston Guide Shoe	2	POM
7	Shaft Type O Ring	1	NBR	21	Guide Block	2	PA66
8	Wear Resistant Ring	1	POM	22	Bolt with O Ring	2	NBR
9	Adjusting Cam	1	WCB	23	Shim	2	SS301
10	Output Shaft	1	C45	24	Nut	2	SS301
11	Wear Resistant Ring	1	POM	25	Adjusting Bolt	2	SS301
12	Shaft Under the O Ring	1	NBR	26	Right End Cover	1	Die Casting Alummiumm
13	End Cap Bolt	8	SS301	27	Cylinder Body	1	Die Casting Alummiumm
14	Left End Cover	1	Die Casting Alummiumm				

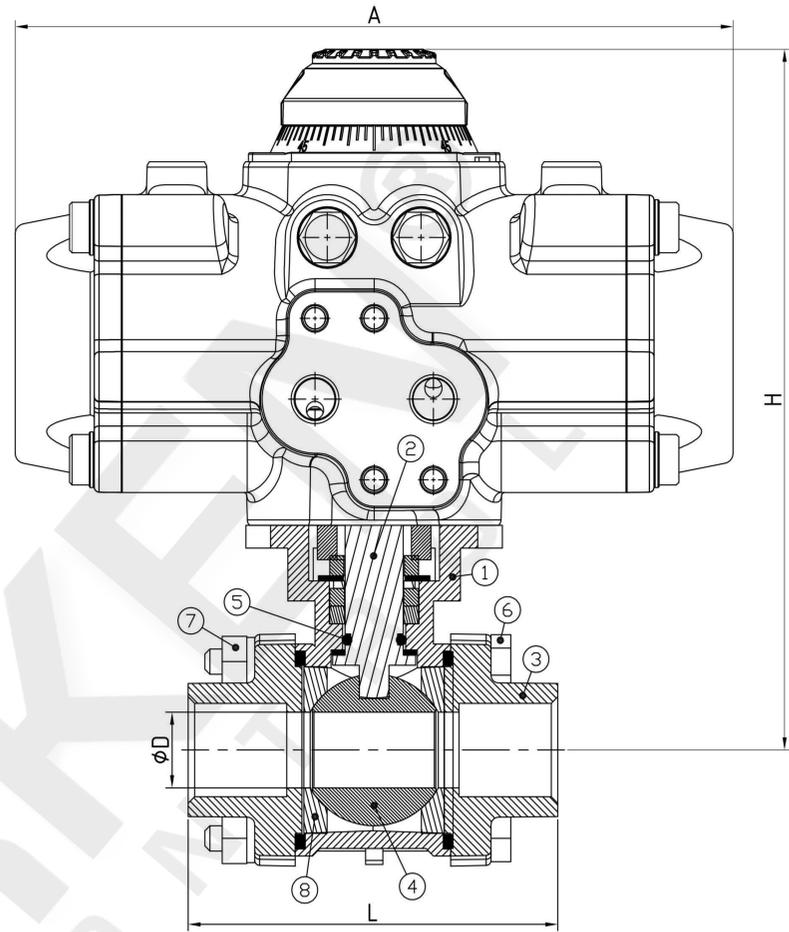
Dimensions



Φ [MM]	A	ΦB	ΦC	D	E	F	G	H	I	J	K	L	M	N
52	145.5	50	36	M6	11	M5	58	94	72	29.5	43	13	80	30
63	153.5	70	50	M8	14	M6	66.5	110	88	35	48.5	16	80	30

Copyright ownership belongs to shall not be reproduced, copied, or used in other ways without permission otherwise we will have the right to pursue legal responsibilities.

As we are continually developing our products, their design is subject to change without notice. Latest information is available on info@hearkenflow.com www.hearkenflow.com www.hfvalveactuator.com
Rev. April 01, 2021



Application Norm

Working Pressure : 1000PSI

Temperature Range : -25 °C +200 °C

Suitable medium : Water 、 Oil 、 air and some corrosive liquid

Thread type : G ·NPT · BSP · DIN259 / 299

NO.	Part Name	Material
1	Body	CF8M WCB
2	Stem	SS316 SS304
3	Cap	CF8M WCB
4	Ball	SS316 SS304
5	O Ring	VITON VITON
6	Bolt	SS304 B8
7	Nut	SS304 FCD45
8	Ball Seat	R-PTFE (15%) R-PTFE (15%)
9	Washer	SS304 FCD45
10	Stem packing	PTFE PTFE
11	Thrust washer	PTFE PTFE
12	Stem packing	PTFE PTFE

SIZE	1/4"	3/8"	1/2"	3/4"	1"	1 1/4"	1 1/2"	2"	2 1/2"	3"	4"
MODEL	52	52	52	52	52	63	63	75	83	105	125
D	11.6	12.7	15	20	25	32	40				
L	68	68	75	80	90	108	120				
A	145.5	145.5	145.5	145.5	145.5	153.5	153.5				
H	139	139	139	140	151	157	165				

Copyright ownership belongs to **HEARKEN** shall not be reproduced, copied, or used in other ways without permission otherwise we will have the right to pursue legal responsibilities.